



DA Heatless Purge

DA5IM, DA15IM, DA25IM

DA40IM, DA55IM, DA70IM, DA100IM, DA150IM

DA200IM, DA250IM, DA300IM



Spare Parts Information



Save These Instructions



CONTENTS

CONTENTS	2
ABOUT THIS MANUAL	2
MAINTENANCE SCHEDULE	3
MAINTENANCE KITS	4
DA5IM – DA25IM ASSEMBLY DRAWING	6
DA40IM – DA70IM ASSEMBLY DRAWING	7
DA100IM – DA150IM ASSEMBLY DRAWING	8
DA200IM – DA300IM ASSEMBLY DRAWING	9
SPARE PARTS DRAWING	10
SPARE PARTS LIST	11

ABOUT THIS MANUAL

The purpose of this manual is to provide site planning, installation and operation guidelines for the dryer.

For supporting documentation refer to Table 1.

Table 1 : Product Manuals

Publication	Part/Document Number by Region		
	Americas	EMEIA *	Asia Pacific
Product Safety Information Manual	47667772	17933554	17933555
Product Information Manual	17933547	17933550	17933551
Spare Parts Manual	17933558		

* Europe, Middle East, India and Africa



MAINTENANCE SCHEDULE

		DA5IM	DA15IM	DA25IM	DA40IM	DA55IM	DA70IM	Year								
								1	2	3	4	5				
Annual Kit	Mufflers	47685481001			47685487001		47685492001					●	●	●	●	●
	Prefilter Element											●	●	●	●	●
	Afterfilter Element											●	●	●	●	●
	Filter Drains											●	●	●	●	●
Three-Year Kit	Seal - PTFE	N/A			47685488001							●				
	Seal - HPU											●				
	Plug #1											●				
	Plug #2											●				
	Ball											●				
	Solenoid Valve											●				

-40°C (-40°F) Dryers Only											
Activated Alumina Bucket 11 L (8Kg) for EU only						47713698001				●	
Activated Alumina Bag 50 lb for US only						38004800				●	
Activated Alumina Kg (lbs)	1.4 (3.1)	4.3 (9.5)	6 (13.2)	12.8 (28.2)	16.7 (36.8)	21.8 (48.1)					

-70°C (-100°F) Dryers Only											
Activated Alumina Bucket 11 L (8Kg) for EU only		N/A			47713698001					●	
Activated Alumina Bag 50 lb for US only					38004800					●	
Activated Alumina Kg (lbs)					9.4 (20.7)	12 (26.4)	16 (35.3)				
Molecular Sieve Bucket 11 L (8Kg) for EU only		N/A			47713699001					●	
Molecular Sieve 50 lb for US only					38061834					●	
Molecular Sieve Kg (lbs)					3.5 (7.7)	4.5 (9.9)	6 (13.2)				

EMS/MLC-Equipped Dryers											
Dew Point Transmitter		N/A			23493570					●	

		DA100IM	DA150IM	DA200IM	DA250IM	DA300IM	Year								
							1	2	3	4	5				
Annual Kit	Mufflers	47685502001		47685512001		47685517001					●	●	●	●	●
	Prefilter Element										●	●	●	●	●
	Afterfilter Element										●	●	●	●	●
	Filter Drains										●	●	●	●	●
Three-Year Kit	Seal - PTFE	47685503001		47685513001							●				
	Seal - HPU										●				
	Plug #1										●				
	Plug #2										●				
	Ball										●				
	Solenoid Valve										●				

-40°C (-40°F) Dryers Only											
Activated Alumina Bucket 11 L (8Kg) for EU only		47713698001							●		
Activated Alumina Bag 50 lb for US only		38004800							●		
Activated Alumina Kg (lbs)	30.8 (67.9)	35.9 (79.1)	61.6 (135.8)	71.8 (158.3)	71.8 (158.3)						

-70°C (-100°F) Dryers Only							
Activated Alumina Bucket 11 L (8Kg) for EU only	47713698001					●	
Activated Alumina Bag 50 lb for US only	38004800					●	
Activated Alumina Kg (lbs)	22.5 (49.6)	26 (57.3)	44.5 (98.1)	52 (114.6)	52 (114.6)		
Molecular Sieve Bucket 11 L (8Kg) for EU only	47713699001					●	
Molecular Sieve 50 lb for US only	38061834					●	
Molecular Sieve Kg (lbs)	8.5 (18.7)	10 (22)	17 (37.4)	20 (44.1)	20 (44.1)		
EMS/MLC-Equipped Dryers							
Dew Point Transmitter	23493570					●	

MAINTENANCE KITS

To facilitate maintenance of the **DA** dryers, **IR** offers Annual Maintenance Kits that contain all required components to maintain the dryer each year. At three-year intervals, a Three-Year Maintenance Kit is required in addition to the Annual Maintenance Kit and other components noted in the Maintenance Schedule.

■ ANNUAL MAINTENANCE KITS

Models: DA5IM – DA25IM	DESCRIPTION	Qty
47685481001	Muffler 3/8"	2
	Filter element FA40IG	1
	Filter element FA40IH	1
	Automatic condensate drain	2
Models: DA40IM	DESCRIPTION	Qty
47685487001	Muffler 1/2"	2
	Filter element FA40IG	1
	Filter element FA40IH	1
	Automatic condensate drain	2
Models: DA55IM-DA70IM	DESCRIPTION	Qty
47685492001	Muffler 1/2"	2
	Filter element FA75IG	1
	Filter element FA75IH	1
	Automatic condensate drain	2
Models: DA100IM-DA150IM	DESCRIPTION	Qty
47685502001	Muffler 3/4"	1
	Filter element FA150IG	1
	Filter element FA150IH	1
	Automatic condensate drain	2
Models: DA200IM	DESCRIPTION	Qty
47685512001	Muffler 3/4"	2
	Filter element FA230IG	1
	Filter element FA230IH	1
	Automatic condensate drain	2
Models: DA250IM-DA300IM	DESCRIPTION	Qty
47685517001	Muffler 3/4"	2
	Filter element FA400IG	1
	Filter element FA400IH	1
	Automatic condensate drain	2

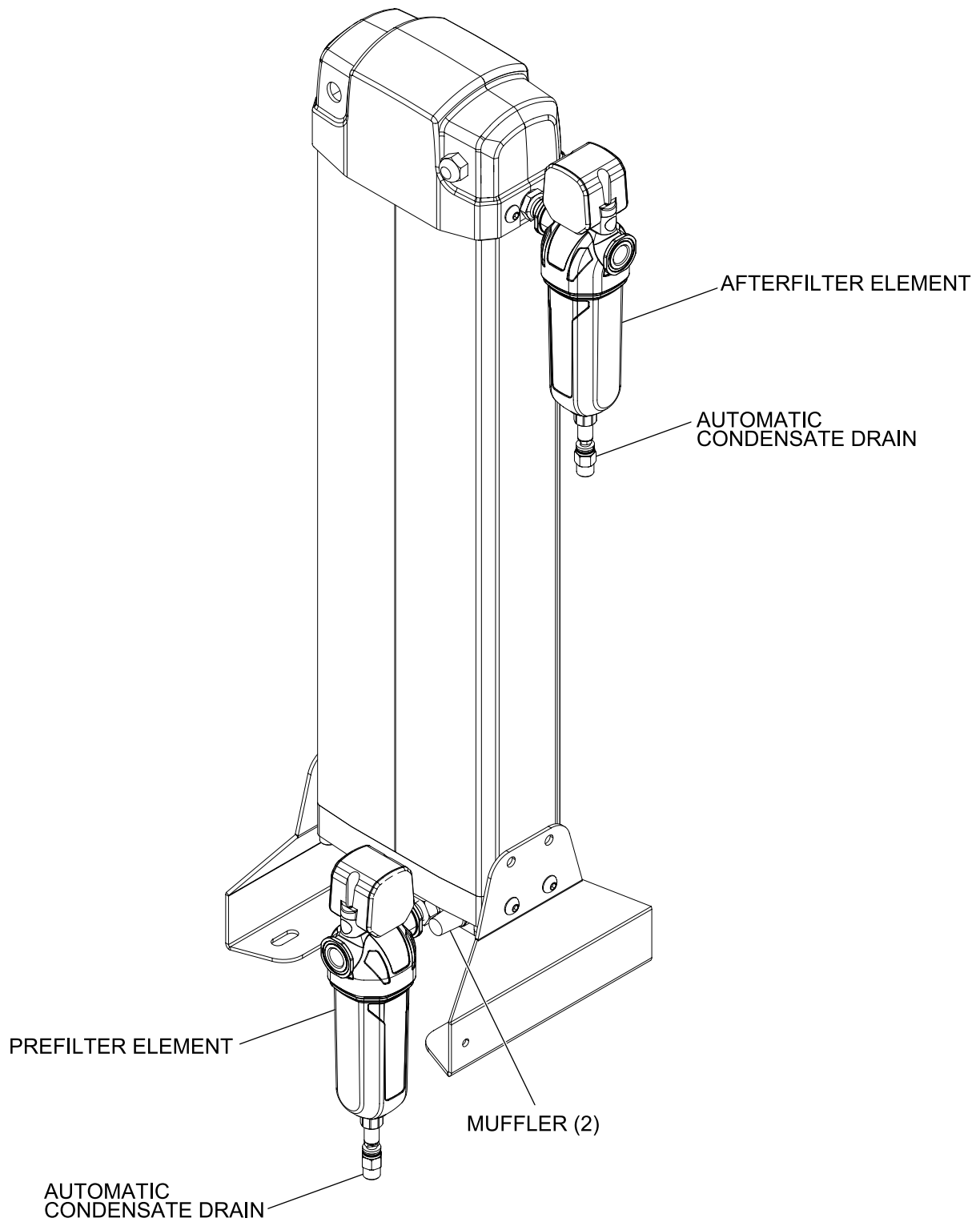
■ THREE-YEAR MAINTENANCE KITS

Models: DA40IM – DA70IM	DESCRIPTION	Qty
47685488001	Seal – PTFE 22.4 x 16mm (0.88"x 0.63")	4
	Seal – HPU 25.5 x 32 mm (1' x 1.26")	4
	Plug 3/4" hole D=17mm (hole D=0.67")	4
	Plug 3/4"	4
	Solenoid Valve	1

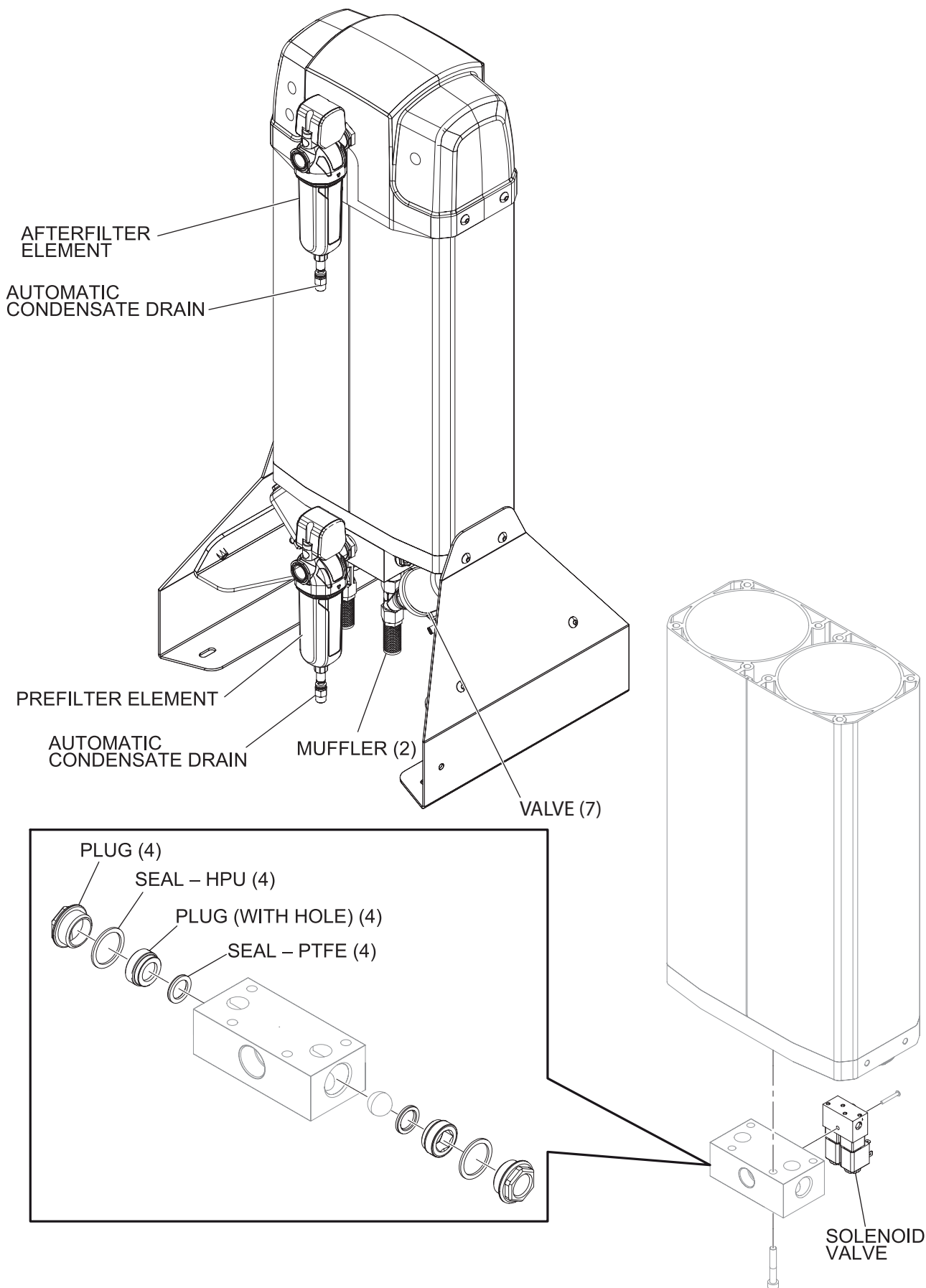
Models: DA100IM – DA150IM	DESCRIPTION	Qty
47685503001	Seal – PTFE 27.3 x 19mm (1.07"x 0.75")	4
	Seal – HPU 32 x 40mm (1.26" x 1.57")	4
	Plug 1" hole D=19mm (hole D=0.75")	4
	Plug 1"	4
	Solenoid Valve	1

Models: DA200IM – DA300IM	DESCRIPTION	Qty
47685513001	Seal – PTFE 27.3 x 19mm (1.07"x 0.75")	8
	Seal – HPU 32 x 40mm (1.26" x 1.57")	8
	Plug 1" hole D=19mm (hole D=0.75')	8
	Plug 1"	8
	Solenoid Valve	1

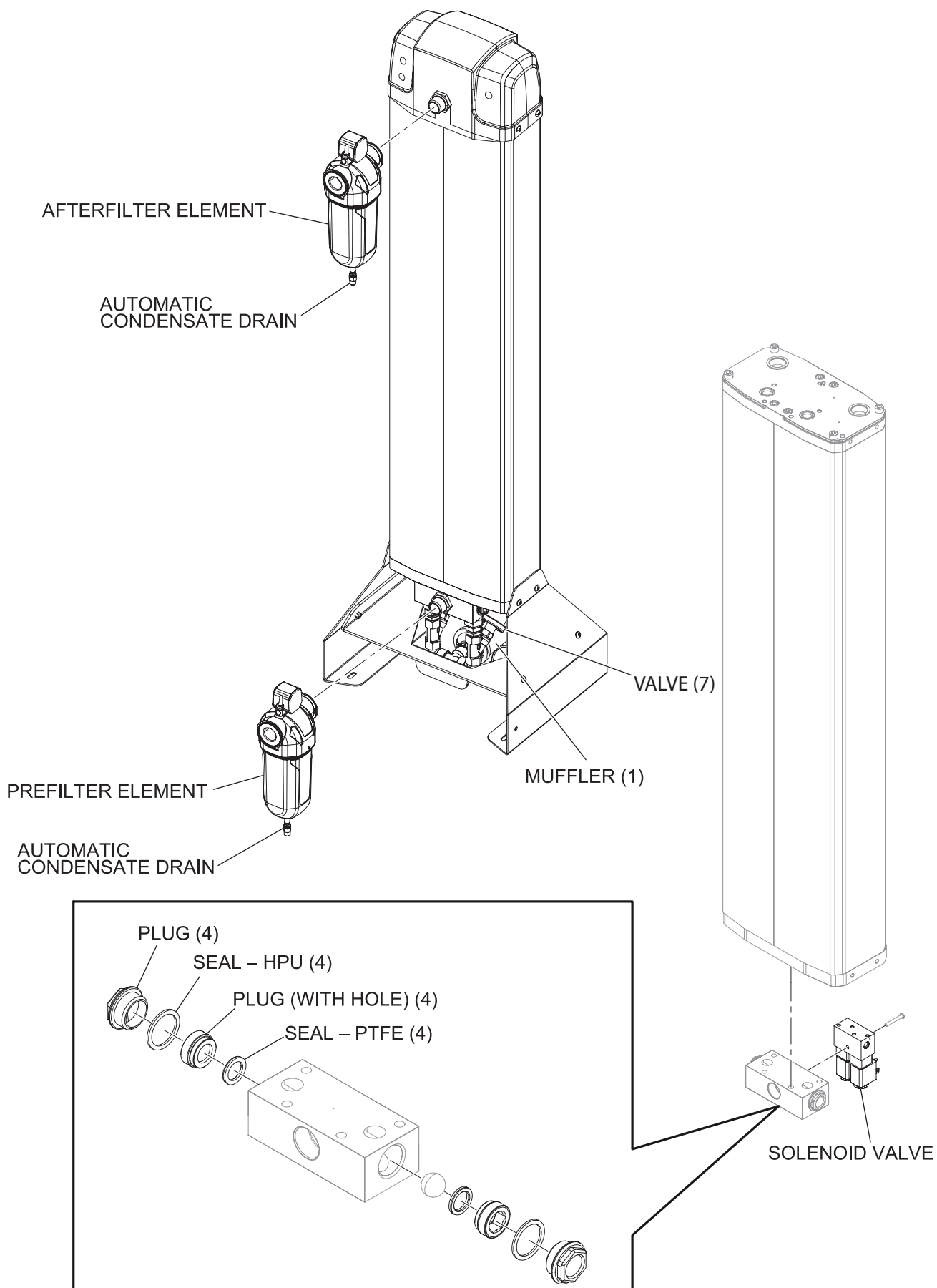
DA5IM - DA25IM ASSEMBLY DRAWING



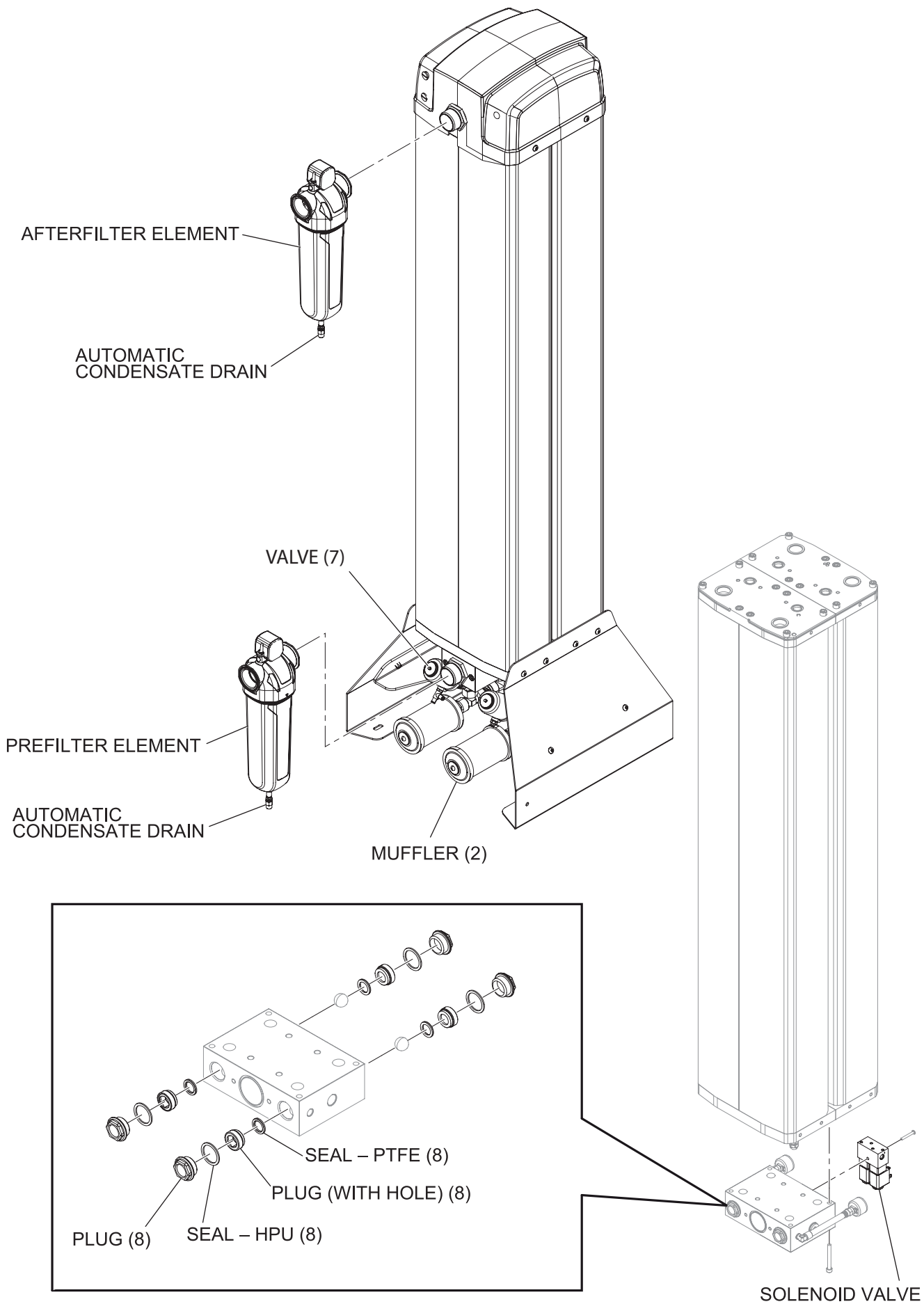
DA40IM - DA70IM ASSEMBLY DRAWING



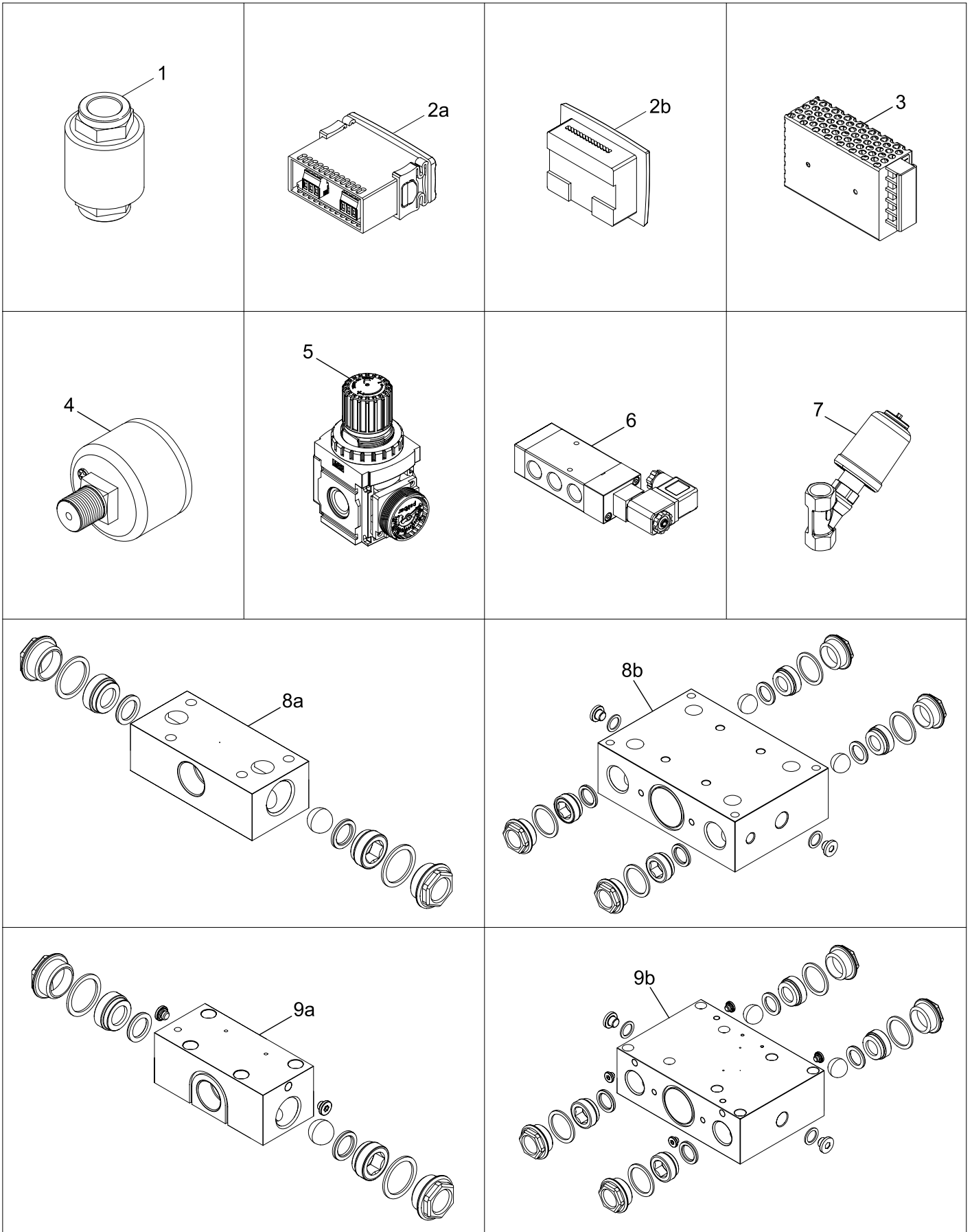
DA100IM - DA150IM ASSEMBLY DRAWING



DA200IM - DA300IM ASSEMBLY DRAWING



SPARE PARTS DRAWING



SPARE PARTS LIST

ITEM NO.	CCN	DESCRIPTION
1	47681365001	CHECK VALVE 3/8"
2a	47681354001	PLC DA5IM - DA25IM 115V
	47681353001	PLC DA5IM - DA25IM 230V
2b	47681315001	PLC 24 VDC DA40IM - DA300IM
3	47681291001	POWER SUPPLY 115V - 230V AC
4	47681308001	PRESSURE GAUGE 0/16 BAR/PSI
5	47681309001	PRESSURE REGULATOR 1/4"
6	47681350001	SOLENOID VALVE, 230V
	47681351001	SOLENOID VALVE, 115V
7	47681287001	VALVE ANGLE 1/2" P.O.N.C. DA40IM - DA70IM
	17933374	VALVE ANGLE 3/4" P.O.N.C. DA100IM - DA300IM
8a	47681243001	SET BLOCK LOWER (WITHOUT PIPING AND VALVES) DA40IM-DA70IM
	47681610001	SET BLOCK LOWER (WITHOUT PIPING AND VALVES) DA100IM-DA150IM
8b	47681239001	SET BLOCK LOWER (WITHOUT PIPING AND VALVES) DA200IM-DA250IM
9a	47681248001	SET BLOCK UPPER (COMPLETELY ASSEMBLED) DA40IM
	47681260001	SET BLOCK UPPER (COMPLETELY ASSEMBLED) DA55IM
	47681245001	SET BLOCK UPPER (COMPLETELY ASSEMBLED) DA70IM
	47681244001	SET BLOCK UPPER (COMPLETELY ASSEMBLED) DA100IM
	47681242001	SET BLOCK UPPER (COMPLETELY ASSEMBLED) DA150IM
9b	47681216001	SET BLOCK UPPER (COMPLETELY ASSEMBLED) DA200IM
	47681238001	SET BLOCK UPPER (COMPLETELY ASSEMBLED) DA250IM
	47681255001	SET BLOCK UPPER (COMPLETELY ASSEMBLED) DA300IM

