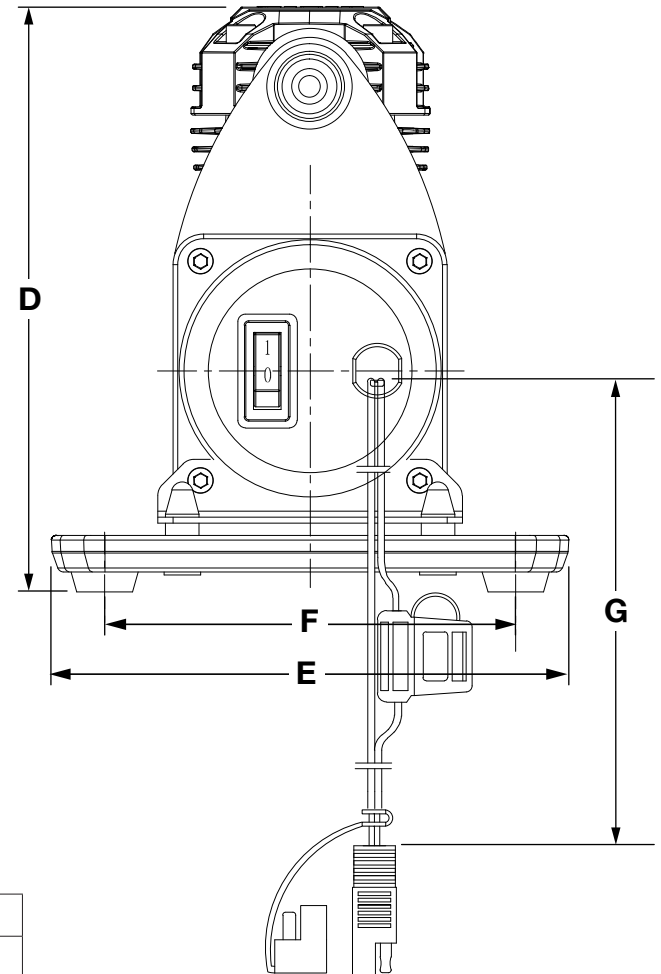
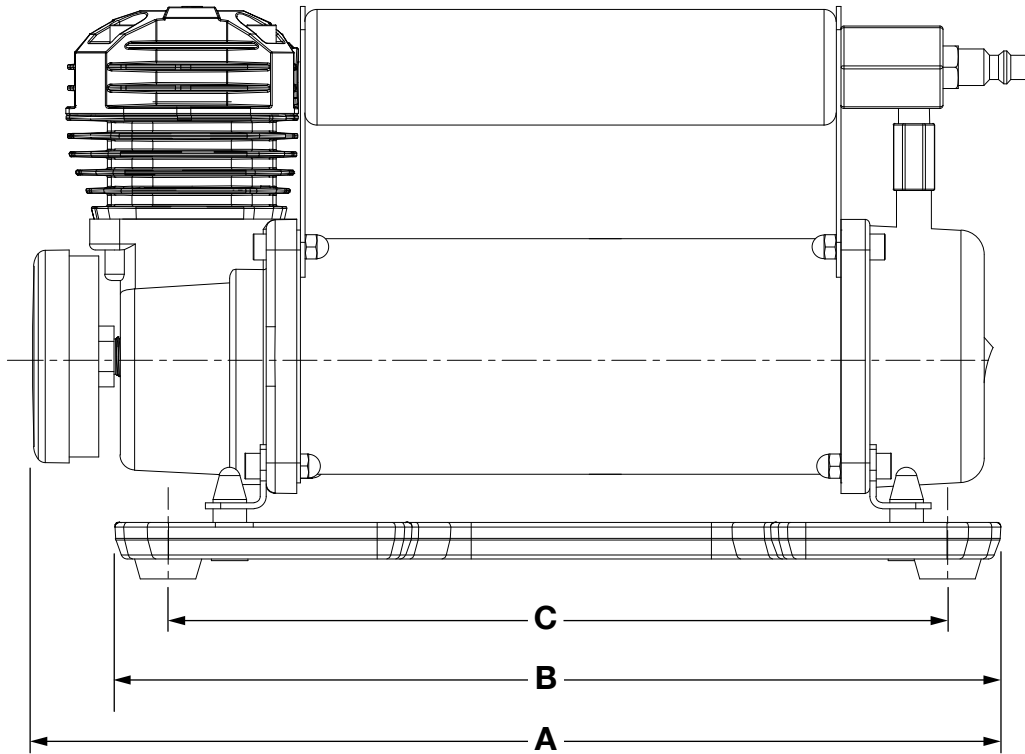




*Your Vital Air Source*



**DIMENSIONS - MM**

| PART NUMBER | A      | B      | C      | D      | E      | F      | G       |
|-------------|--------|--------|--------|--------|--------|--------|---------|
| 45144-45157 | 317.62 | 291.00 | 256.00 | 192.30 | 170.00 | 135.00 | 1930.00 |

\* All measurements in millimeters, unless otherwise noted, +/- 1mm.

**DIMENSIONS - IN**

| PART NUMBER | A     | B     | C     | D    | E    | F    | G     |
|-------------|-------|-------|-------|------|------|------|-------|
| 45144-45157 | 12.50 | 11.46 | 10.08 | 7.57 | 6.69 | 5.31 | 75.98 |

\* All measurements in inches, unless otherwise noted, +/- .039".